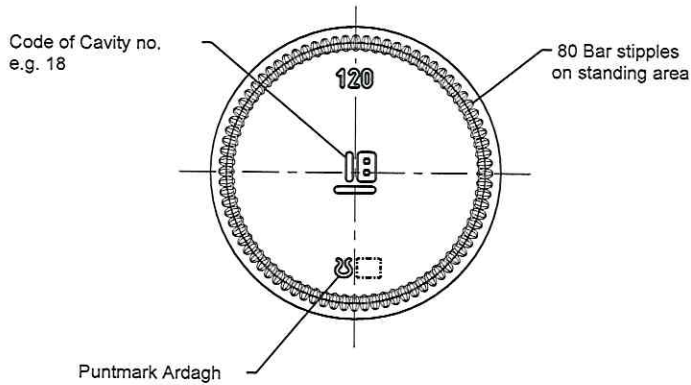
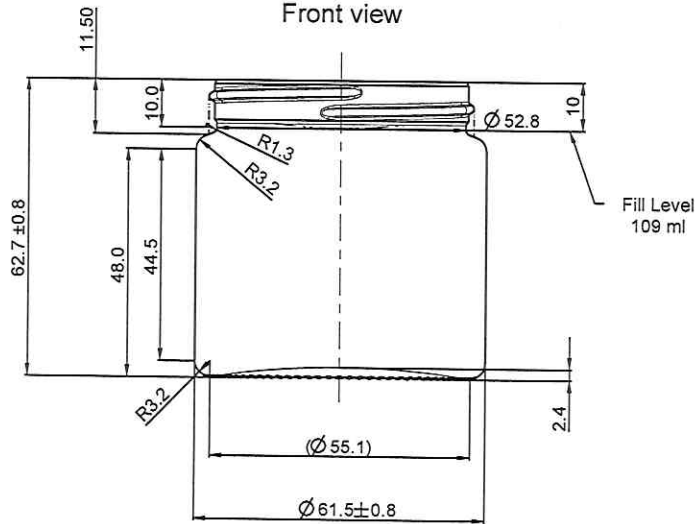


COLOUR	SAP SPEAKING NO	SAP MATERIAL NO
Standard amber	20-15842 -0	31005842


Bottom view



Front view



0.3 STIPPLE HEIGHT IS INCLUDED IN ALL DIMENSIONS FROM THE BASE

NOMINAL CAPACITY	108.6 ml	SPECIFICATION AGREEMENTS ARE BASED ON TOLERANCED DIMENSIONS ONLY DO NOT SCALE DRAWING COPYRIGHT RESERVED, NOT TO BE COPIED IN WHOLE OR PART WITHOUT WRITTEN PERMISSION FROM ARDAGH GLASS LTD. ALL DIMENSIONS ARE IN MILLIMETERS Document supervised by SAP, cProject and Windchill PDM/Link systems	Product & Mould Design		ArdaghGroup 
BRIMFUL CAPACITY	126.0 ml ± 2.5 ml		Glass - Europe		
VACUITY	17.4 ml (16.0 %)		DESIGNER	ReynerA	SHEET
FINISH DESCRIPTION	THREAD FINISH R3 SIZE 58	DATE	10.12.2021	SCALE	1:1 (A3)
FINISH NUMBER	AF43701	CUSTOMER		PROJECT	22699
FINISH NORM	British glass GF323:03-2005	PRODUCT NAME		120ml Jar	
MINIMUM THROUGH BORE	-	SAP MATERIAL NAME		CREAM JAR 126 C20 58WH	
WEIGHT NOMINAL	122 g	OLD NUMBER			
USAGE	NON RETURNABLE	DRAWING NO.		D24706 B	
CARBONATION	-	PRODUCT CODE		15842 -0	
TILT ANGLE	49.8°	B Add SAP material number	MartaR	-	27.01.2022
		A First drawing	ReynerA	-	10.12.2021
		REVISION	DSG	CHK	DATE