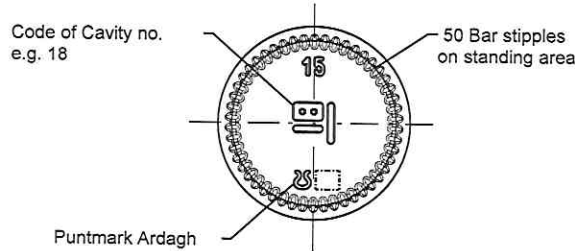


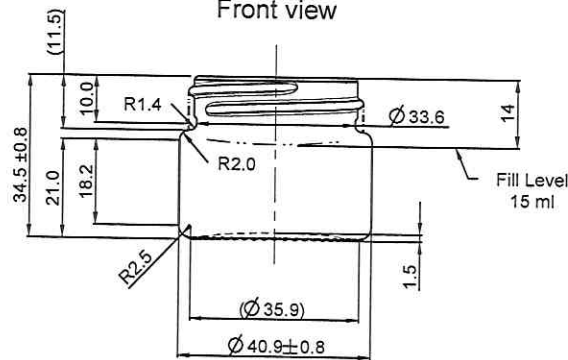


COLOUR	SAP SPEAKING NO	SAP MATERIAL NO
Standard amber	20-15923 -0	31005923

Bottom view



Front view



0.3 STIPPLE HEIGHT IS INCLUDED IN ALL DIMENSIONS FROM THE BASE

NOMINAL CAPACITY	15.0 ml	SPECIFICATION AGREEMENTS ARE BASED ON TOLERANCED DIMENSIONS ONLY DO NOT SCALE DRAWING COPYRIGHT RESERVED, NOT TO BE COPIED IN WHOLE OR PART WITHOUT WRITTEN PERMISSION FROM ARDAGH GLASS LTD. ALL DIMENSIONS ARE IN MILLIMETERS Document supervised by SAP, cProject and Windchill PDM/Link systems	OEG Design Product Design Ardagh Glass	ArdaghGlassPackaging	
BRIMFUL CAPACITY	25.0 ml ± 1.0 ml				
VACUITY	10.0 ml (66.7 %)				
FINISH DESCRIPTION	CONTINUOUS THREAD R3 SIZE 38				
FINISH NUMBER	AF43601	DESIGNER	ChemnitzK	SHEET	1 / 1
FINISH NORM	British glass GF323:03-2005	DATE	12.05.2022	SCALE	1:1 (A3)
MINIMUM THROUGH BORE	-	CUSTOMER		PROJECT	22696
WEIGHT NOMINAL	~ 37 g	PRODUCT NAME			
USAGE	NON RETURNABLE	15ml Jar			
CARBONATION	-	SAP MATERIAL NAME			
TILT ANGLE	58.8°	CREAM JAR 15 C20 38WH			
		B	Brimful capacity tolerance corrected.	BarkerC	25.07.2022
		A	First drawing / Increase shoulder radij	ChemnitzK	12.05.2022
			REVISION	DSG	DATE
		DRAWING NO.		PRODUCT CODE	
		D24988 B		15923 -0	